



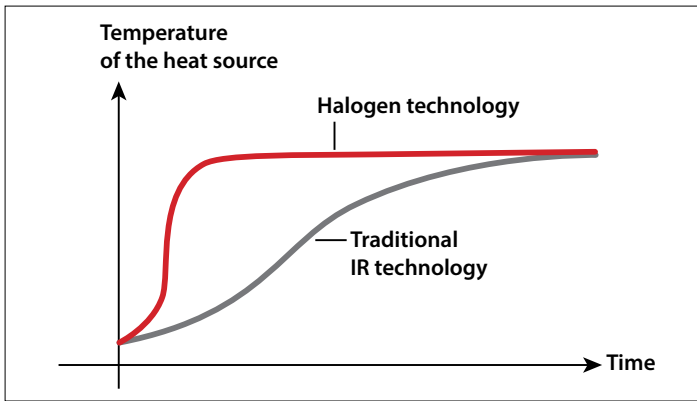
Simple Operation. Precise Results.

Measuring moisture content has never been easier than with the MB90 Moisture Analyzer. The MB90's halogen heating distributes heat uniformly over the sample and speeds up the drying process, delivering fast and precise measurements. Designed for tool-free cleaning, its components can be easily removed for quick and easy maintenance. Operating the MB90 is intuitive with the icon-driven menu navigation on the touchscreen display.

Unique Features Include:

- Halogen heating increases efficiency for faster results.
- Intuitive touchscreen menu offers step-by-step guidance for any application.
- Tool-free cleaning for easy maintenance.

MB90 Moisture Analyzer



Fast Heating Time



Uniform Drying

Easy Tool-Free Cleaning

The MB90 features a patented pan handler and removable parts for convenient maintenance.

- **Stainless Steel Drying Pan**
Wipe down quickly
- **Removable Heating Chamber Components**
No tools required—simply remove glass and tray to clean

Exceptional Precision

The MB90 provides precise results for more confident testing.

- **Fast Halogen Heating Technology**
Halogen heating dries samples in seconds and performs up to 40% faster than traditional infrared methods.
- **Uniform Drying for Precise, Repeatable Results**
The reflective sample chamber ensures uniform heating of each sample to yield reliable results of 0.01% readability.
- **Flexible and Powerful**
Features a full operating temperature range of 40–200 °C in 1 degree increments.
- **Two Drying Profiles to Ensure Accuracy**
Customize heating of specific samples with temperature control for one-step drying—set temperature and time and begin!
 - Fast:* Quickest possible time to temperature
 - Standard:* Minimal overshoot while achieving temperatures quickly
- **Shut-Off Criteria for Automatic Test Completion**
Customize your own test endpoint criteria to automatically end the test once moisture loss is no longer detected. Choose from 3 criteria—Manual shut-off with pre-set time, Timed and Auto.



Testing Made Simple

The MB90 features a wide, bright touchscreen display and intuitive menu navigation for fast, accurate moisture analysis.

- **Touchscreen Display**
Easy to read and understand
- **Icon-Driven Menu Navigation**
Easy to follow—no training required
- **4 Mechanical Keys for Fast One-Step Operation**
Tare, Start/Stop, Print, On/Off
- **USB and RS232 Ports**
Quick connections to a PC or flash drive
- **Moisture Analysis Made Simple**
Just 3 easy steps for routine sample testing!
 1. Tare empty sample pan
 2. Add sample according to best practices
 3. Press start and see your results!



Multiple Ways to Connect

Versatile connectivity options to handle data collection and transfer needs—enhancing the user experience.

- **USB and RS232 Ports**
Quick connections to a PC or flash drive
- **Data Collection and Transfer**
You can simply save and transfer data from the moisture analyzer to a USB drive

MB90 MOISTURE ANALYZER

Model	MB90
Capacity	90 g
Readability	0.01%/0.001 g
Repeatability (Std Dev) (g)	0.18% (3 g sample) 0.02% (10 g sample)
Moisture Range	0.01% to 100% (0.01% to 1000% for regain mode)
Output	RS232, USB Host, USB Device
Heating Element	Halogen
Temperature Range	40–200 °C
Power	240 VAC 50/60 Hz
Operating Temperature Range	10–40 °C
Display Type	109 mm, QVGA, TFT touch screen
Display Results	%moisture, %solids, %regain, time, temperature, weight, method name, drying curve and statistics
Pan Size	90 mm
Dimensions (W × H × D)	211 × 180 × 355 mm
Net Weight	5.23 kg
Shipping Weight	8.35 kg

Compliance

- **Product Safety:** IEC/EN 61010-1; IEC/EN 61010-2-010; CAN/CSA C22.2 61010-1; CAN/CSA C22.2 61010-2-010; UL 61010-1
- **Electromagnetic Compatibility:** IEC/EN 61326-1 Class B, Basic environments; FCC Part 15 Class A; ICES-003 Class A

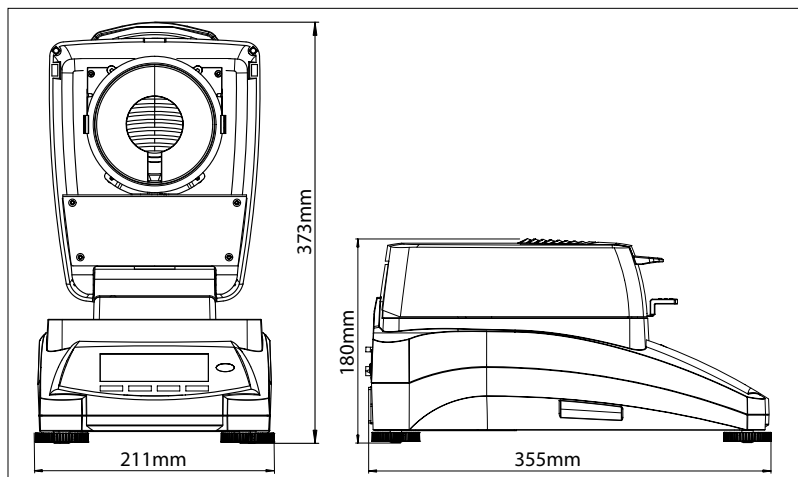
Additional Features

ABS top housing, stainless steel pan support, in-use cover, storage up to 2 methods and 100 test results in total, user-guide, 14 operational languages

Accessories

Temp. Calibration Kit, MB Series.....	11113857
In-Use-Cover, MB90 MB120	30284478
Pan Holder, MB120&MB90	30246947
Pan, Reusable, Set(3), 7mm, MB Series.....	80252478
Pan, Reusable, Set(3), 14mm, MB Series.....	80252479
Pan, Aluminum, Set(50), MB Series	30585411
Filter, Glass Fiber, Set(200)	80850087
Cage, sample.....	80252477
Anti-Theft Device, MB AX EX Scout	80850043
Scoop, Accessory, MB9x, MB120.....	30284477
Printer, Impact, SF40A (EU).....	30064202
Interface Kit, RS232-USB.....	30304101
Interface Kit, RS232-Ethernet	30304102

Outline Dimensions



OHAUS Europe GmbH

Im Langacher 44
8606 Greifensee
Switzerland

e-mail: ssc@ohaus.com
Tel: 0041 22 567 53 19
e-mail: tsc@ohaus.com
Tel: 0041 22 567 53 20

www.ohaus.com

OHAUS Corporation is an ISO
9001:2008 manufacturer

ISO 9001:2008

Registered Quality
Management System

CH16B054

