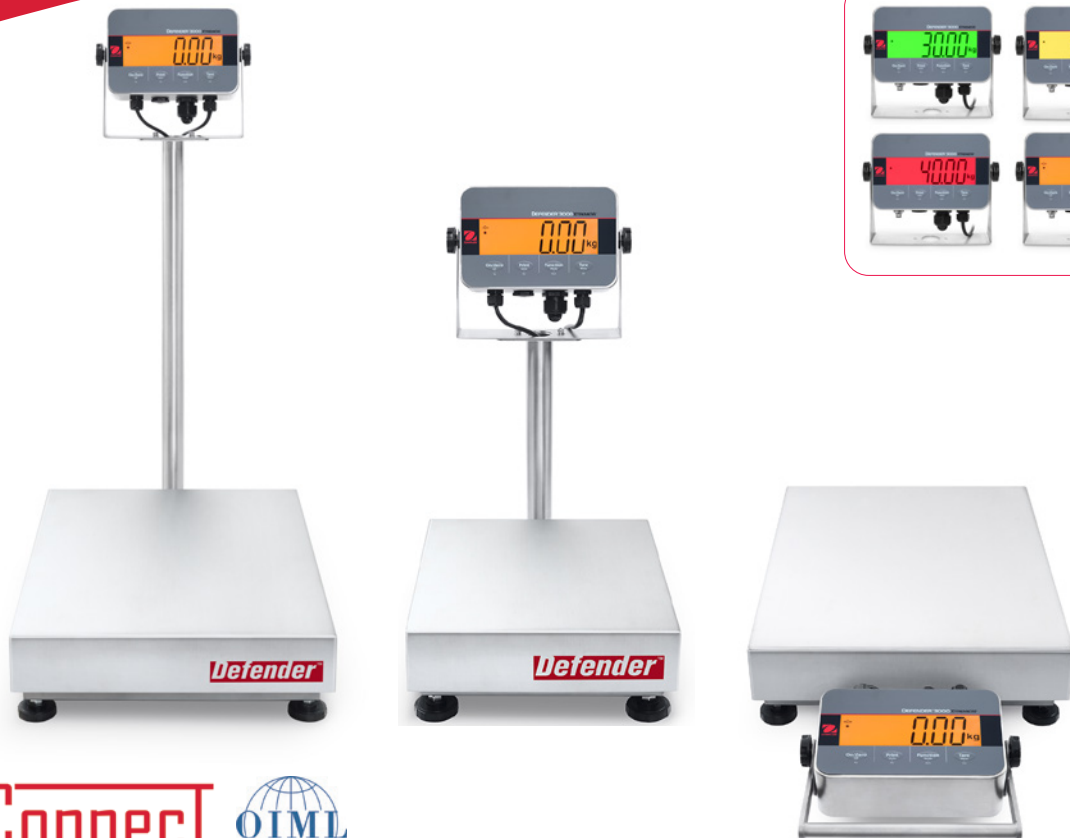




DEFENDER™3000

Washdown Bench Scales



Stainless Steel Bench Scales for Basic Industrial Washdown Applications

The Defender 3000 Washdown Bench Scales are ideal for general weighing, simple counting and checkweighing applications in damp environments, or when washdown cleaning is required. The Defender 3000 Series features a simple, yet rugged, stainless steel design and IP66 stainless steel indicator with tactile keys, multicolor backlit LCD display, AC or standard rechargeable battery operation and flexible mounting capabilities.

Unique Features:

- Results are clearly shown using the large, bright backlit LCD display. In Checkweighing mode display changes color (yellow/green/red) to alert when within the target weight range.
- This tough industrial scale features a 304-stainless steel platform and frame, column and IP67 load cell. Indicator features a protected 304-stainless steel housing and mounting bracket with IP66 protection rate.
- Features software for Parts Counting, Checkweighing and Totalization. Includes RS232 with optional USB Device or Ethernet for printing or data connectivity. Approved models are equipped with EasyConnect™ solution.

DEFENDER™3000 Washdown Bench Scales

Specifications

Column Mount Bench Scale

| Model | i-D33XW15C1R6-EU | i-D33XW30C1R6-EU | i-D33XW60C1R6-EU | i-D33XW60C1L7-EU |
|---|--|-------------------|-------------------|---|
| | i-D33XW15C1R6-GB | i-D33XW30C1R6-GB | i-D33XW60C1R6-GB | i-D33XW60C1L7-GB |
| Capacity x Default Readability | 15 kg x 2 g | 30 kg x 5 g | 60 kg x 10 g | |
| Maximum Displayed Resolution | 1:7,500 | 1:6,000 | | |
| Linearity/Repeatability | ±1d | | | |
| Certified Model | i-D33XW15C1R6EU-M | i-D33XW30C1R6EU-M | i-D33XW60C1R6EU-M | i-D33XW60C1L7EU-M |
| | i-D33XW15C1R6GB-M | i-D33XW30C1R6GB-M | i-D33XW60C1R6GB-M | i-D33XW60C1L7GB-M |
| Capacity x Certified/Approved Readability | 15 kg x 5 g | 30 kg x 10 g | 60 kg x 20 g | |
| Maximum Certified Resolution | 1:3,000 | | | |
| Indicator | 304 stainless steel indicator | | | |
| Column | 330 mm stainless steel | | | 680 mm stainless steel |
| Base Construction | Stainless steel removable weighing platform with stainless steel frame, silicon sealed IP67 stainless steel loadcell | | | |
| Safe Overload Capacity | 150% of maximum capacity | | | |
| Stabilization Time | Within 1 second | | | |
| Operating Temperature Range | -10°C to 40°C | | | |
| Scale Dimensions (A x B x C x D x E x F) | 355 x 305 x 121.8 x 75 x 541.6 x 481.9 mm | | | 550 x 420 x 134 x 80 x 896.1 x 685.6 mm |
| Shipping Dimensions (L x W x H) | 642 x 497 x 212 mm M models: 495 x 455 x 373 mm | | | 857 x 564 x 225 mm M models: 1022 x 687 x 247 mm |
| Approx. Net Weight | 12.3 kg | | | 19.2 kg |
| Approx. Shipping Weight | 15.3 kg | | | 23.3 kg |

| Model | i-D33XW150C1L7-EU | i-D33XW150C1X7-EU | i-D33XW300C1X7-EU |
|---|--|--|--------------------|
| | i-D33XW150C1L7-GB | i-D33XW150C1X7-GB | i-D33XW300C1X7-GB |
| Capacity x Default Readability | 150 kg x 20 g | | 300 kg x 50 g |
| Maximum Displayed Resolution | 1:7,500 | | 1:6,000 |
| Linearity/Repeatability | ±1d | | |
| Certified Model | i-D33XW150C1L7EU-M | i-D33XW150C1X7EU-M | i-D33XW300C1X7EU-M |
| | i-D33XW150C1L7GB-M | i-D33XW150C1X7GB-M | i-D33XW300C1X7GB-M |
| Capacity x Certified/Approved Readability | 150 kg x 50 g | | 300 kg x 100 g |
| Maximum Certified Resolution | 1:3,000 | | |
| Indicator | 304 stainless steel indicator | | |
| Column | 680 mm stainless steel | | |
| Base Construction | Stainless steel removable weighing platform with stainless steel frame, silicon sealed IP67 stainless steel loadcell | | |
| Safe Overload Capacity | 150% of maximum capacity | | |
| Stabilization Time | Within 1 second | | |
| Operating Temperature Range | -10°C to 40°C | | |
| Scale Dimensions (A x B x C x D x E x F) | 550 x 420 x 134 x 80 x 896.1 x 685.6 mm | 650 x 500 x 150 x 90 x 894.6 x 784.6 mm | |
| Shipping Dimensions (L x W x H) | 857 x 564 x 225 mm M models: 1022 x 687 x 247 mm | 1022 x 687 x 247 mm M models: 1022 x 687 x 247 mm | |
| Approx. Net Weight | 19.2 kg | 31.8 kg | |
| Approx. Shipping Weight | 23.3 kg | 35.3 kg | |

DEFENDER™3000 Washdown Bench Scales

Specifications

Front Mount Bench Scale

| Model | i-D33XW15C1R5-EU | i-D33XW30C1R5-EU | i-D33XW60C1R5-EU | i-D33XW60C1L5-EU |
|---|--|-------------------|-------------------|--|
| | i-D33XW15C1R5-GB | i-D33XW30C1R5-GB | i-D33XW60C1R5-GB | i-D33XW60C1L5-GB |
| Capacity x Default Readability | 15 kg x 2 g | 30 kg x 5 g | 60 kg x 10 g | 60 kg x 10 g |
| Maximum Displayed Resolution | 1:7,500 | 1:6,000 | | |
| Linearity/Repeatability | ±1d | | | |
| Certified Model | i-D33XW15C1R5EU-M | i-D33XW30C1R5EU-M | i-D33XW60C1R5EU-M | i-D33XW60C1L5EU-M |
| | i-D33XW15C1R5GB-M | i-D33XW30C1R5GB-M | i-D33XW60C1R5GB-M | i-D33XW60C1L5GB-M |
| Capacity x Certified/Approved Readability | 15 kg x 5 g | 30 kg x 10 g | 60 kg x 20 g | |
| Maximum Certified Resolution | 1:3,000 | | | |
| Indicator | 304 stainless steel indicator | | | |
| Column | 304 stainless steel front-mount bracket with handle | | | |
| Base Construction | Stainless steel removable weighing platform with stainless steel frame, silicon sealed IP67 stainless steel loadcell | | | |
| Safe Overload Capacity | 150% of maximum capacity | | | |
| Stabilization Time | Within 1 second | | | |
| Operating Temperature Range | -10°C to 40°C | | | |
| Scale Dimensions (A x B x C x D x E x F) | 355 x 305 x 121.8 x 75 x 130 x 645.5 mm | | | 550 x 420 x 134 x 80 x 132.9 x 842 mm |
| Shipping Dimensions (L x W x H) | 857 x 564 x 225 mm M models: 495 x 455 x 373 mm | | | 1022 x 687 x 247 mm M models: 1022 x 687 x 247 mm |
| Approx. Net Weight | 11.9 kg | | | 18.1 kg |
| Approx. Shipping Weight | 14.3 kg | | | 22.2 kg |

| Model | i-D33XW150C1L5-EU | i-D33XW150C1X5-EU | i-D33XW300C1X5-EU |
|---|--|-------------------------------------|--------------------|
| | i-D33XW150C1L5-GB | i-D33XW150C1X5-GB | i-D33XW300C1X5-GB |
| Capacity x Default Readability | 150 kg x 20 g | | 300 kg x 50 g |
| Maximum Displayed Resolution | 1:7,500 | | 1:6,000 |
| Linearity/Repeatability | ±1d | | |
| Certified Model | i-D33XW150C1L5EU-M | i-D33XW150C1X5EU-M | i-D33XW300C1X5EU-M |
| | i-D33XW150C1L5GB-M | i-D33XW150C1X5GB-M | i-D33XW300C1X5GB-M |
| Capacity x Certified/Approved Readability | 150 kg x 50 g | | 300 kg x 100 g |
| Maximum Certified Resolution | 1:3,000 | | |
| Indicator | 304 stainless steel indicator | | |
| Column | 304 stainless steel front-mount bracket with handle | | |
| Base Construction | Stainless steel removable weighing platform with stainless steel frame, silicon sealed IP67 stainless steel loadcell | | |
| Safe Overload Capacity | 150% of maximum capacity | | |
| Stabilization Time | Within 1 second | | |
| Operating Temperature Range | -10°C to 40°C | | |
| Scale Dimensions (A x B x C x D x E x F) | 550 x 420 x 134 x 80 x 132.9 x 842 mm | 650 x 500 x 150 x 90 x 133 x 941 mm | |
| Shipping Dimensions (L x W x H) | 1022 x 687 x 247 mm M models: 1022 x 687 x 247 mm | | |
| Approx. Net Weight | 18.1 kg | 30.8 kg | |
| Approx. Shipping Weight | 22.2 kg | 34.3 kg | |

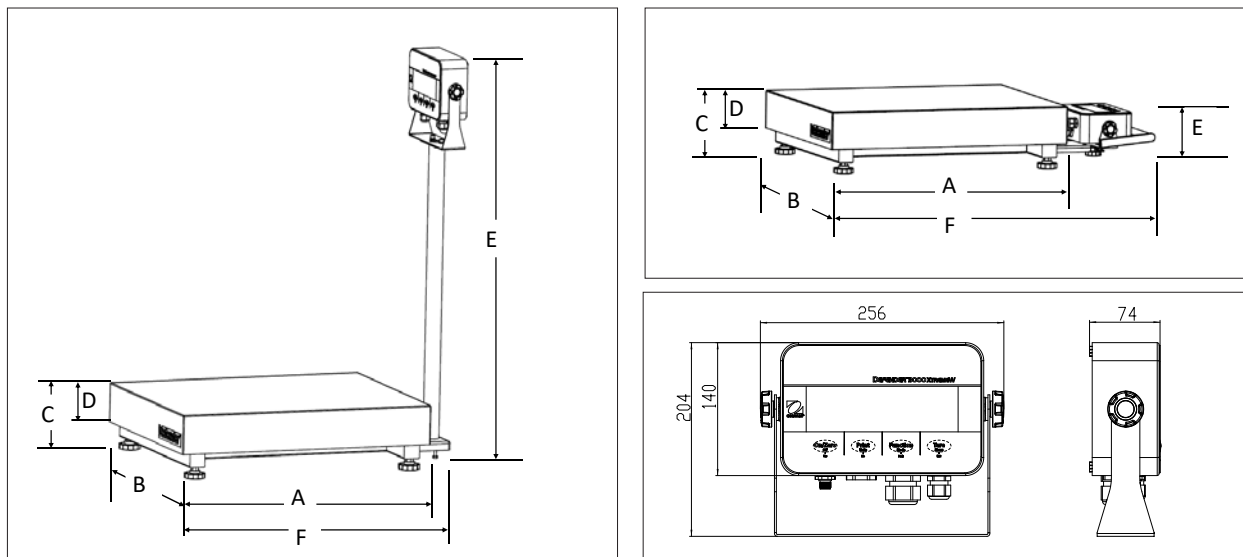
DEFENDER™3000 Washdown Bench Scale

Specifications

Indicators

| Model | i-DT33XW |
|--------------------|---|
| Construction | 304 stainless steel housing and mounting bracket |
| Protection | IP66 |
| Weighing Units | Kilogram, Gram, Pound, Ounce: Ounce (Kilogram, Gram only for M models) |
| Application Modes | Weighing, Parts Counting, Checkweighing and Totalization |
| Display | 6-digit, 7-segment LCD display with multi-color backlight, 45 mm high digits |
| Check Indicator | 3 Color (red, green, yellow) backlight |
| Keyboard | 4 function keys |
| Auto-zero Tracking | Off, 0.5 d, 1 d or 3 d |
| Zeroing Range | 2% or 100% of capacity |
| Interface | RS232 included |
| | Optional USB, Ethernet |
| Power | 100-240 VAC / 50/60 Hz Universal Power Supply, hardwired or standard rechargeable battery |
| Battery Life | Up to 100 hours continuous use with backlight off (rechargeable battery) |
| Calibration | Zero, Span or 3 point-Linear |

Outline Dimensions



Compliance

- **Metrology:** EN45501 (Scale: T12209; Indicator: TC12208; Load Cell: OIML R60/2000-NL1-16.12 / TC8620).
- **Product Safety:** IEC/EN 61010-1; CAN/CSA C22.2 61010-1; UL61010-1
- **Electromagnetic Compatibility:** IEC/EN 61326-1 Class B, basic environments; FCC Part 15 Class A; Canada ICES-003 Class A
- **Ingress Protection:** IEC 60529 – IP66 (for indicator), IEC 60529 – IP67 (for load cell)
- **Compliance Marks:** CE, UKCA
- **Other:** WEEE, RoHS

Accessories

| | |
|-------------------------------|----------|
| Ethernet Kit | 30429666 |
| USB Device Kit i-DT33 | 30699120 |
| Dust Cover (5) i-DT33 | 30699121 |
| Wheel Kit, Defender Series | 30372146 |
| Wheel Kit SST Defender Series | 30616409 |
| Carrying Handle Kit i-DT33 | 30696600 |
| SF40A Printer | 30064202 |
| Cable RS232 i-DT33XW | 80500552 |

Column Kit for i-DT33 indicator:

| | |
|-------------------------|----------|
| Column Kit, 330 mm, SST | 30696595 |
| Column Kit, 680 mm, SST | 30696596 |
| Column Kit, 330 mm, CS | 30696597 |
| Column Kit, 680 mm, CS | 30696598 |
| Column Kit, 980 mm, CS | 30696599 |

OHAUS Europe GmbH

Heuwinkelstrasse 3,
8606 Nänikon,
Switzerland

e-mail: ssc@ohaus.com
Tel: 0041 22 567 53 19
e-mail: tsc@ohaus.com
Tel: 0041 22 567 53 20

www.ohaus.com

The management system
governing the manufacture of
this product is ISO 9001:2015
certified.

